

Latch type toggle clamps

Steel / Stainless Steel, with locking mechanism

SPECIFICATION

Types

- Type **T5**: without latch bolt, without catch
- Type **TG**: with oval head latch bolt, with catch
- Type **TT**: with T-head latch bolt, with catch
- Type **TU**: with J-hook latch bolt, with catch

Version in Steel

Parts in sheet metal
Case-hardened Steel C10
blackened

Latch bolt
Steel St 32
blackened

All moving parts
lubricated with special grease

Solid moulded plastic handle sleeve
red, oil resistant

Version in Stainless Steel NI

Parts in sheet metal
Stainless Steel AISI 304

Latch bolt
Stainless Steel AISI 304

All moving parts
lubricated with special grease

Solid moulded plastic handle sleeve
red, oil resistant



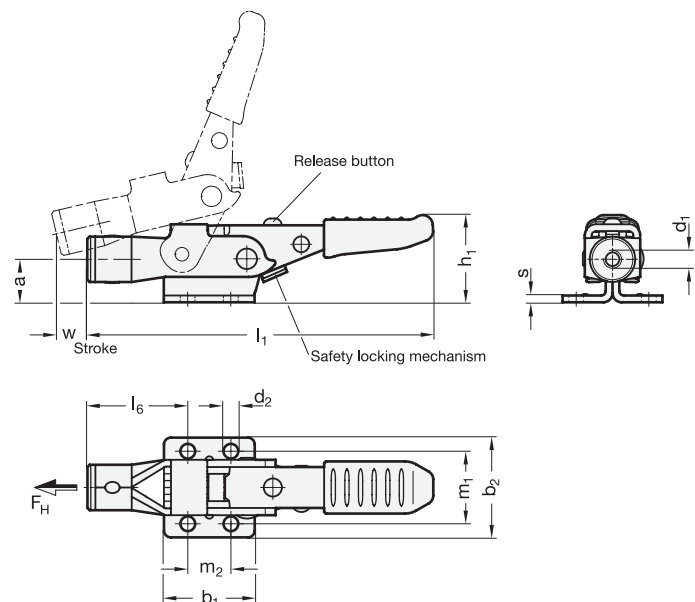
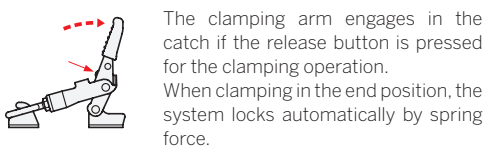
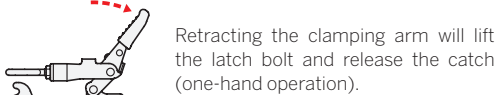
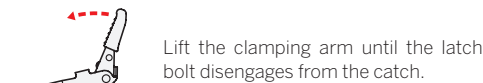
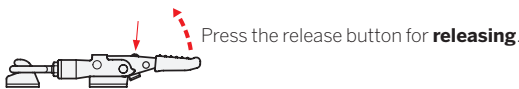
INFORMATION

GN 853 latch type toggle clamps feature a locking mechanism which prevents an inadvertent or vibration-induced opening of the clamp. Another benefit is the option of operating the clamp with one hand.

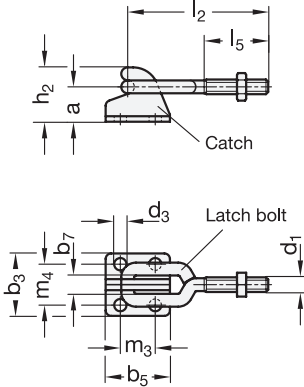
TECHNICAL INFORMATION

- Stainless Steel characteristics (see page A26)

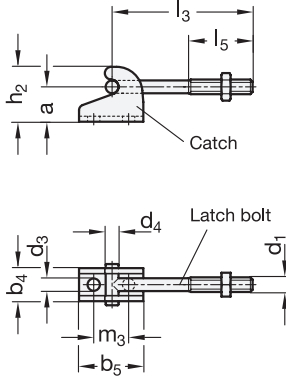
DESCRIPTION OF FUNCTION (FOR ONE-HAND OPERATION)



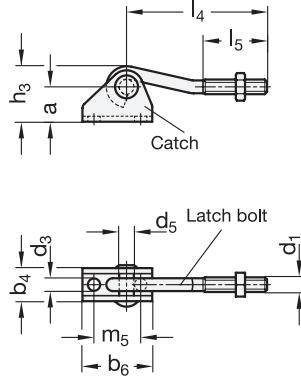
Type TG
Oval head latch bolt



Type TT
T-head latch bolt



Type TU
J-hook latch bolt



GN 853

Description	Size	FH in N	a	b1	b2	b3	b4	b5	b6	b7	d1	d2	d3	d4	d5	h1 ≈	h2	h3	l1 ≈	l2 ≈	l3 ≈	l4 ≈	l5	l6	m1	m2	m3	m4	m5	s	w	⚖
GN 853-160-T5	160	1750	-	26	28	-	-	-	-	-	-	4.5	-	-	27	-	-	103	-	-	-	-	30	19	16	-	-	-	2	8	80	
GN 853-320-T5	320	4000	-	40	44	-	-	-	-	-	-	6.7	-	-	38.5	-	-	153	-	-	-	-	44.5	32	19	-	-	-	3	13	297	
GN 853-700-T5	700	7500	-	60	54	-	-	-	-	-	-	8.5	-	-	53	-	-	222	-	-	-	-	51	38	41.5	-	-	-	3.5	19	686	
GN 853-160-TG	160	1750	13	26	28	23	-	26	-	6.8	M 6	4.5	4.5	-	27	20	-	103	55	-	-	28	30	19	16	16	14.3	-	2	8	130	
GN 853-320-TG	320	4000	19	40	44	34	-	35	-	10	M 8	6.7	6.7	-	38.5	30	-	153	76.5	-	-	34	44.5	32	19	19	22.3	-	3	13	383	
GN 853-700-TG	700	7500	28	60	54	41	-	50	-	11	M 10	8.5	8.5	-	53	40.5	-	222	95.5	-	-	42	51	38	41.5	31	25.4	-	3.5	19	880	
GN 853-160-TU	160	1750	13	26	28	-	14	-	35	-	M 6	4.5	-	6	27	-	20.5	103	-	-	54	28	30	19	16	-	-	25.4	2	8	120	
GN 853-320-TU	320	4000	19	40	44	-	18	-	38	-	M 8	6.7	-	8	38.5	-	28	153	-	-	76.5	34	44.5	32	19	-	-	25.4	3	13	380	
GN 853-700-TU	700	7500	28	60	54	-	26	-	50	-	M 10	8.5	-	10	53	-	39	222	-	-	92	42	51	38	41.5	-	-	31	3.5	19	840	
GN 853-160-TT	160	1750	13	26	28	-	14	26	-	-	M 6	4.5	-	5.2	27	20	-	103	-	55	-	28	30	19	16	16	-	-	2	8	110	
GN 853-320-TT	320	4000	19	40	44	-	18	35	-	-	M 8	6.7	-	7	38.5	30	-	153	-	76.5	-	34	44.5	32	19	19	-	-	3	13	360	
GN 853-700-TT	700	7500	28	60	54	-	26	50	-	-	M 10	8.5	-	9	53	40.5	-	222	-	95.5	-	42	51	38	41.5	31	-	-	3.5	19	840	

GN 853-NI

STAINLESS STEEL

Description	Size	FH in N	a	b1	b2	b3	b4	b5	b6	b7	d1	d2	d3	d4	d5	h1 ≈	h2	h3	l1 ≈	l2 ≈	l3 ≈	l4 ≈	l5	l6	m1	m2	m3	m4	m5	s	w	⚖
GN 853-160-T5-NI	160	1750	-	26	28	-	-	-	-	-	-	4.5	-	-	27	-	-	103	-	-	-	-	30	19	16	-	-	-	2	8	97	
GN 853-320-T5-NI	320	4000	-	40	44	-	-	-	-	-	-	6.7	-	-	38.5	-	-	153	-	-	-	-	44.5	32	19	-	-	-	3	13	300	
GN 853-700-T5-NI	700	7500	-	60	54	-	-	-	-	-	-	8.5	-	-	53	-	-	222	-	-	-	-	51	38	41.5	-	-	-	3.5	19	681	
GN 853-160-TG-NI	160	1750	13	26	28	23	-	26	-	6.8	M 6	4.5	4.5	-	27	20	-	103	55	-	-	28	30	19	16	16	14.3	-	2	8	97	
GN 853-320-TG-NI	320	4000	19	40	44	34	-	35	-	10	M 8	6.7	6.7	-	38.5	30	-	153	76.5	-	-	34	44.5	32	19	19	22.3	-	3	13	330	
GN 853-700-TG-NI	700	7500	28	60	54	41	-	50	-	11	M 10	8.5	8.5	-	53	40.5	-	222	95.5	-	-	42	51	38	41.5	31	25.4	-	3.5	19	883	
GN 853-160-TU-NI	160	1750	13	26	28	-	14	-	35	-	M 6	4.5	-	6	27	-	20.5	103	-	-	54	28	30	19	16	-	-	25.4	2	8	134	
GN 853-320-TU-NI	320	4000	19	40	44	-	18	-	38	-	M 8	6.7	-	8	38.5	-	28	153	-	-	76.5	34	44.5	32	19	-	-	25.4	3	13	380	
GN 853-700-TU-NI	700	7500	28	60	54	-	26	-	50	-	M 10	8.5	-	10	53	-	39	222	-	-	92	42	51	38	41.5	-	-	31	3.5	19	858	
GN 853-160-TT-NI	160	1750	13	26	28	-	14	26	-	-	M 6	4.5	-	5.2	27	20	-	103	-	55	-	28	30	19	16	16	-	-	2	8	120	
GN 853-320-TT-NI	320	4000	19	40	44	-	18	35	-	-	M 8	6.7	-	7	38.5	30	-	153	-	76.5	-	34	44.5	32	19	19	-	-	3	13	360	
GN 853-700-TT-NI	700	7500	28	60	54	-	26	50	-	-	M 10	8.5	-	9	53	40.5	-	222	-	95.5	-	42	51	38	41.5	31	-	-	3.5	19	780	

